

AMG2019




45-55V_{DC}, 120W Power Supply



Industrial Power Supplies

The AMG2019 Power Supply is a 45-55V_{DC}, 120W PoE/PoE+ Power Supply which is suitable for all AMG Industrial Ethernet Switches with up to 4x PoE+ ports.



		
PSU 120W 45-55VDC	Temp -35~+71°C	Mounting DIN

[AMG2019]

/ OVERVIEW

AC - DC DIN Rail mountable 120W Class 2 Output.

/ FEATURES

- AC/DC Power Module
- Universal Input 90~264V_{AC}
- High Efficiency - up to 87%
- Short Circuit Protection
- Internal Input Filter
- DIN Rail Mountable

Specifications.

General.

Isolation Voltage	3000V _{AC} Input to ground 1500V _{AC} Input to ground 500V _{AC} Output to ground
Switching Frequency	80kHz
Operating Temperature	-35 to +71°C
Derating	Linearly from +60°C at 2.5%/°C, start up at -30°C
Cooling	Free air convection cooled with 25mm free space on all sides
Operating Humidity	20 to 90% RH, non-condensing
Storage Temperature	-40 to +85°C
Dimension (W x D x H)	63.5 × 116 × 125 mm
Cooling	Free air convection
Case Material	Metal

Input Specifications.

Input Voltage	90-132/180-264VAC, auto select, 210-375V _{DC}
Input Frequency	47-63Hz
Input Current	
115V _{AC}	2.2A
230V _{AC}	0.83A
Inrush Current	24/48A at 115/230V _{AC}
Power Factor	0.7 typical
Earth Leakage Current	0.8mA max
Input Protection	T3.15A, 250V _{AC}

Output Specifications.

Output Voltage	48V
Output Voltage Trim	45-55V _{DC}
Initial Set Accuracy	±1%
Minimum Load	No minimum load required
Start Up Delay	<1s (may increase in low temperature extremes)
Start Up Rise Time	<150ms
Hold Up Time	25/30ms at 115/230V _{AC}
Line Regulation	±0.5% max
Load Regulation	±1% (±5% for units in parallel)
Parallel Operation	A maximum of 3 units can be paralleled (not with standby system). Total power available is 90% of the rated current of each unit. Minimum load per unit is 10%.
Transient Response	4% max deviation recovering to within 1% in 2ms for a 50% load change
Ripple and Noise	50mVpk-pk 20MHz bandwidth (may increase at low temperature extremes)
Overvoltage Protection	Output Clamps at 125%-140% Vnom, auto recovery
Overload Protection	105%-145% constant current, auto recovery
Temperature Coefficient	±0.03%/°C
Efficiency	87% typical

Specifications.

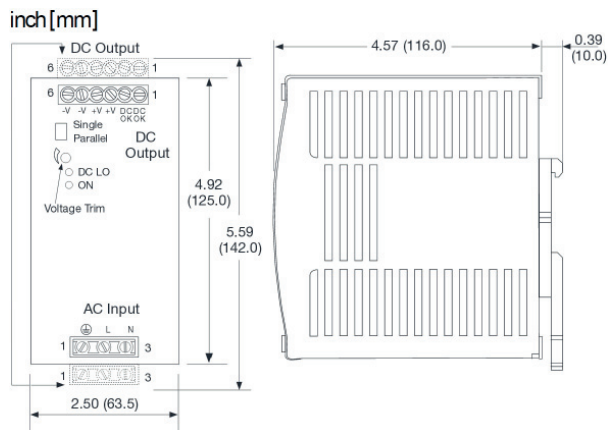
Approvals and Standards.

UL / cUL	UL508 Listed UL1310 Class 2 Power Supply (5V, 12V w/o class 2), UL60950-1 Recognised
TUV	EN60950-1
CE	EN55022 Class B EN61000-3-2, EN61000-3-3 EN61000-4-2, EN61000-4-3, EN61000-4-4, EN61000-4-5, EN61000-4-6, EN61000-4-8, EN61000-4-11

Part Numbers.

AMG2019	48V-56V _{DC} , 120W, DIN-Rail mounting, -35°C to +60°C, power derated between 60°C & 71°C
---------	--

Notes.



DERATING

